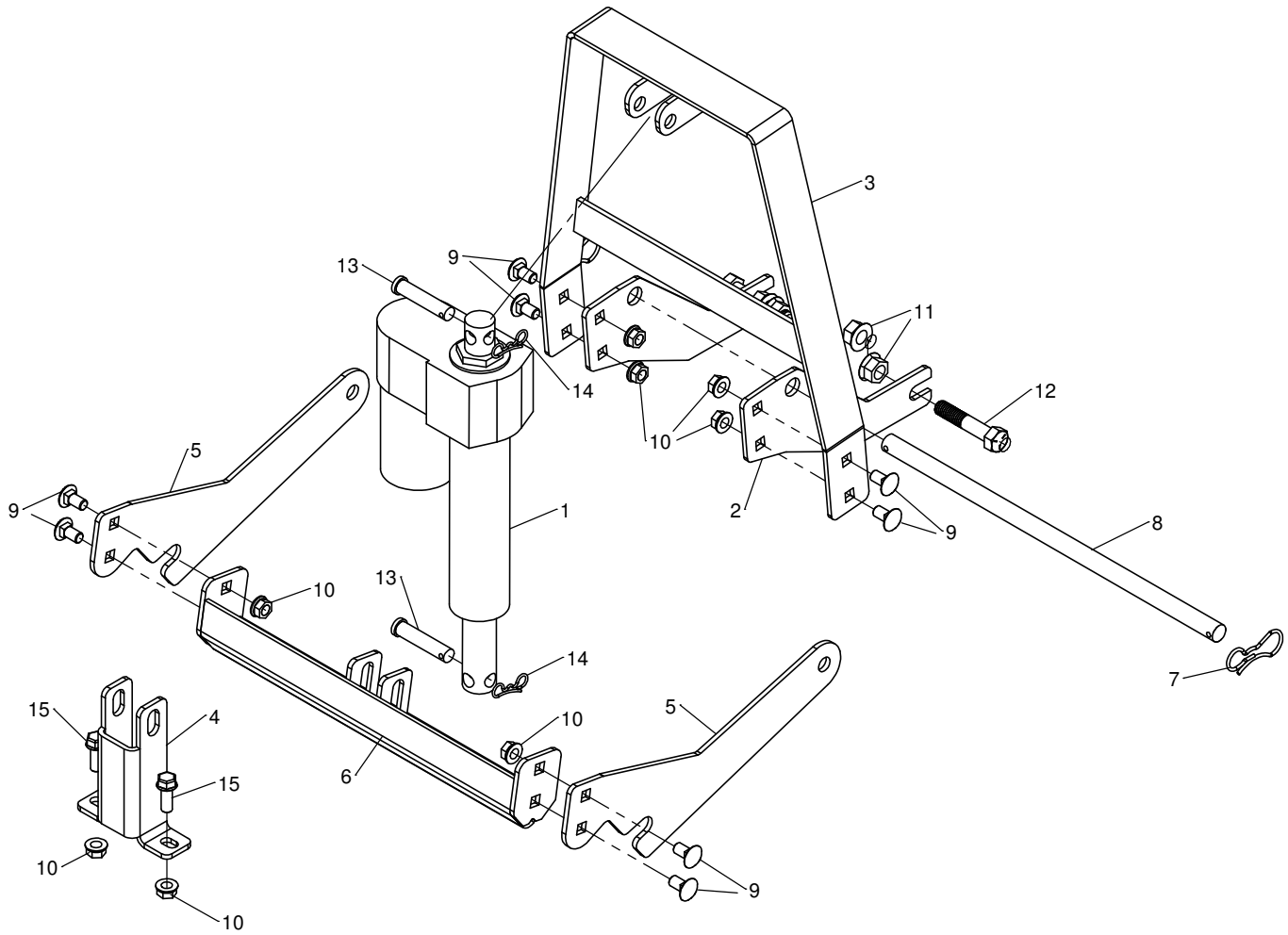


# LP64865 - Electric Lift Kit X300/X500



#	Part #	QTY.	Description
1	ST50225	1	4" Actuator
2	ST50584	2	Lift Tractor Mount
3	ST50586	1	Lift Frame
4	ST50585	1	Blade Lower Lift
5	ST50587	2	Lift Side
6	ST50588	1	Snow blower Lift WA
7	ST43623	2	Bowtie Clip, Large
8	ST50104	1	Pin, Blade Mounting
9	ST65081	8	3/8 x 3/4 Carriage Bolt
10	ST65012	10	3/8 Flange Nut

#	Part #	QTY.	Description
11	ST65037	4	1/2" Flange Nut
12	ST65118	2	1/2" x 2-1/2" Hex Bolt
13	ST50234	2	1/2" x 2-1/4" Clevis Pin
14	ST50237	2	Bowtie Clip 1/2"
15	ST65045	2	3/8 x 1 Flange Bolt
-	ST50129	1	Battery Harness
-	ST50229	1	Toggle Switch
-	ST50573	1	Power Wire
-	ST50574	1	Relay Harness
-	ST50288	1	Up/Down Label